

**TH**

**5,5.19 P**



CONSTRUCTION



LOGISTICS



EVENTS AND  
FILM



TH  
5,5.19 P



**CAB**

Best-in-class  
safety and visibility



**PERFORMANCE**

Unrivalled lifting  
performance

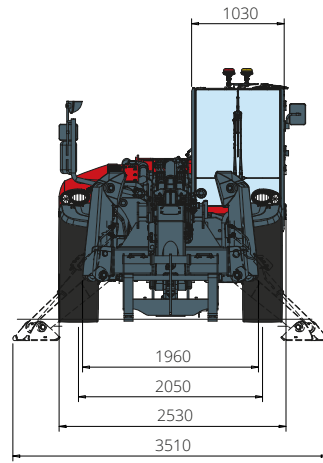


**LOAD LIVE DIAGRAM**

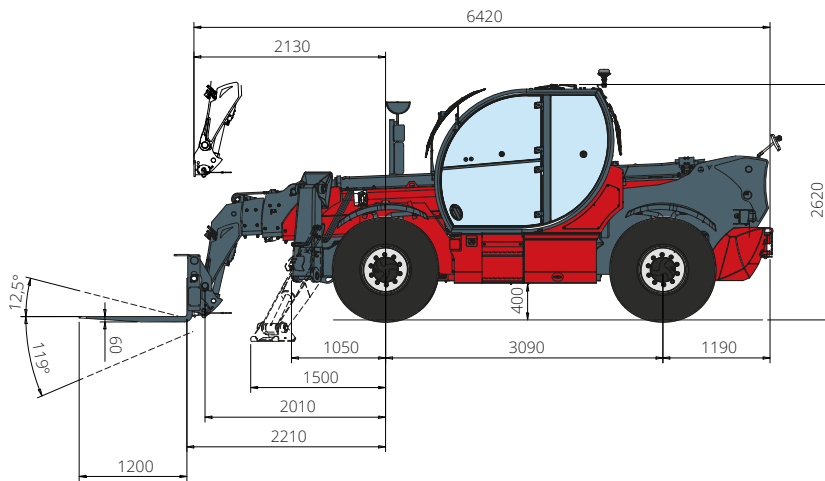
Three real-time dynamic  
load charts

# TH 5,5.19 P

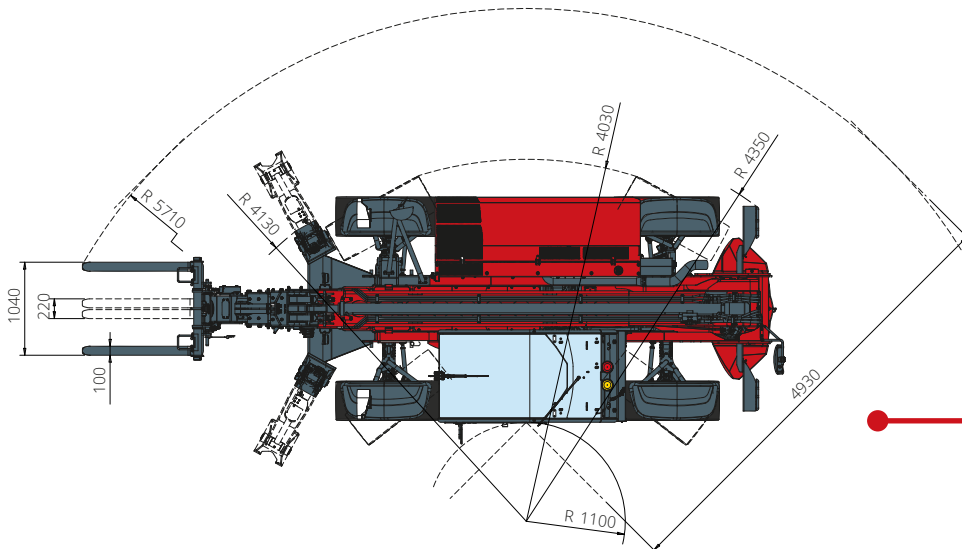
## DIMENSIONS (mm)



**FRONT**  
view

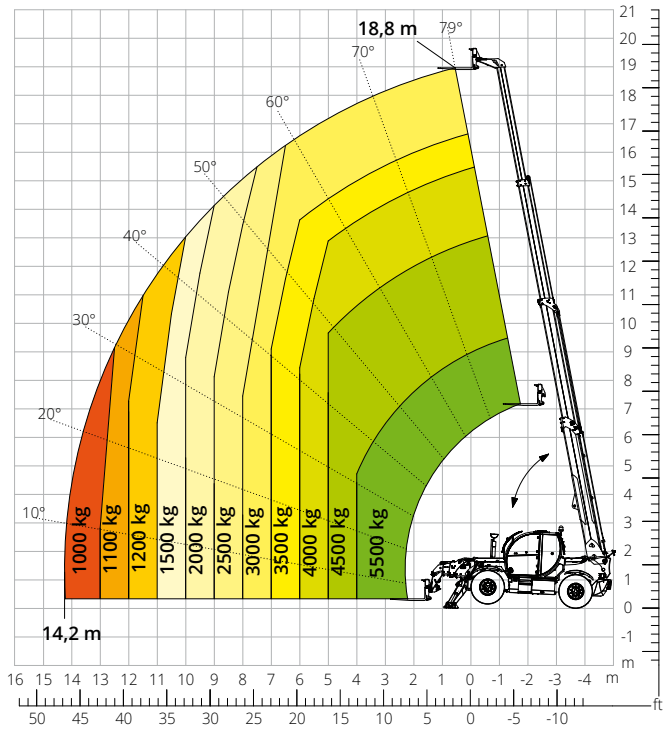


**SIDE**  
view

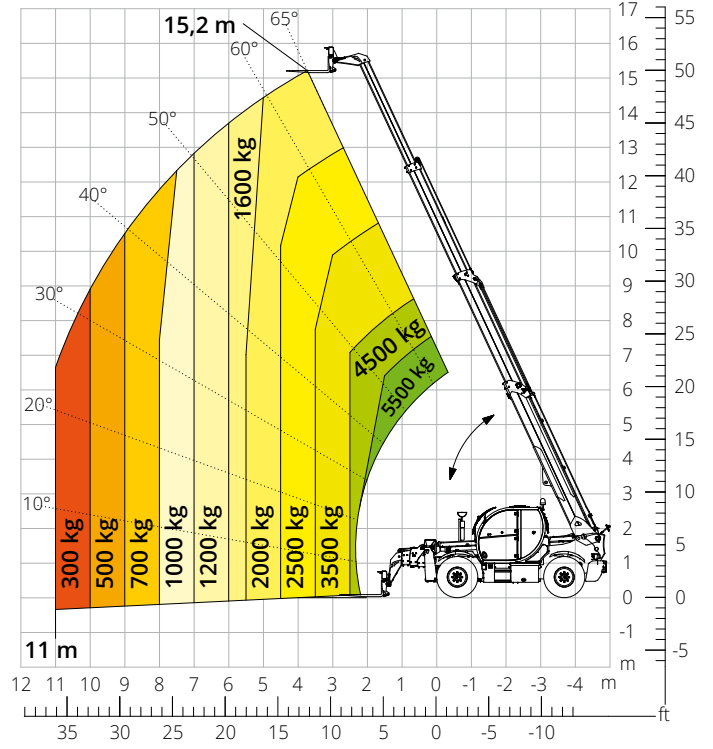


**TOP**  
view

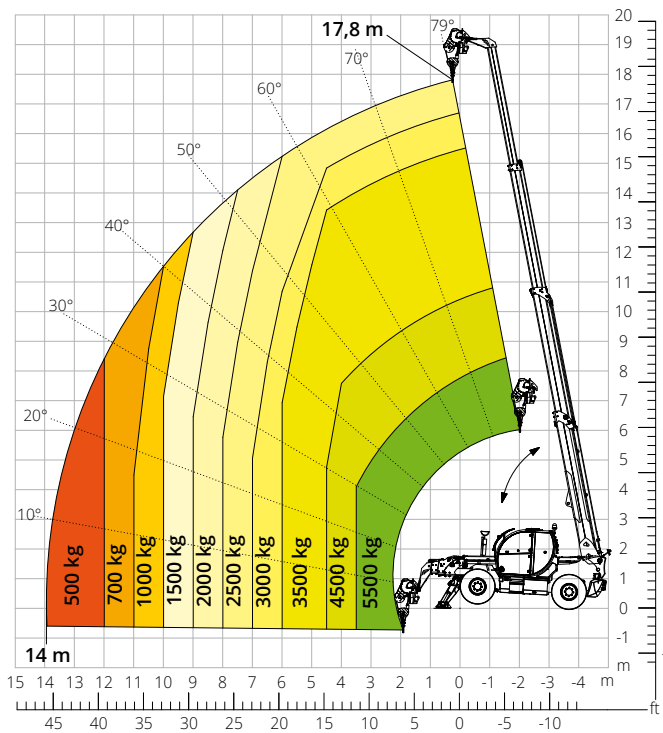
Load chart with  
**FULLY EXTENDED STABILISERS (360°)**  
ATT-03-040



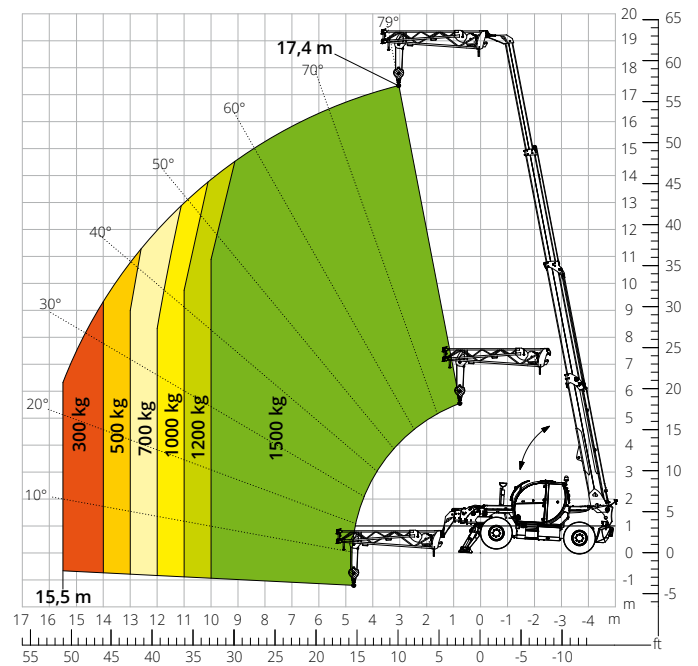
Load chart  
**FRONT ATTACHMENT ON TYRES**  
ATT-03-040



Load chart with  
**WINCH, 6,000 kg**  
ATT-02-004

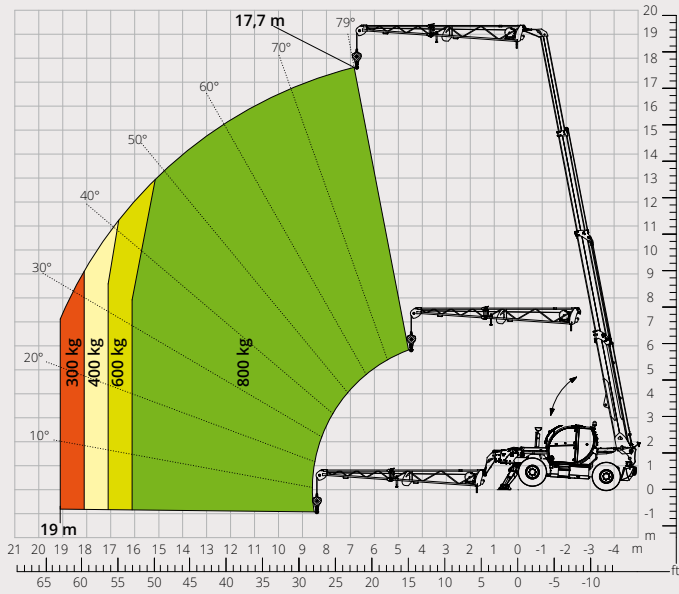


Load chart with  
**JIB WITH WINCH, 1,500 kg**  
ATT-04-011

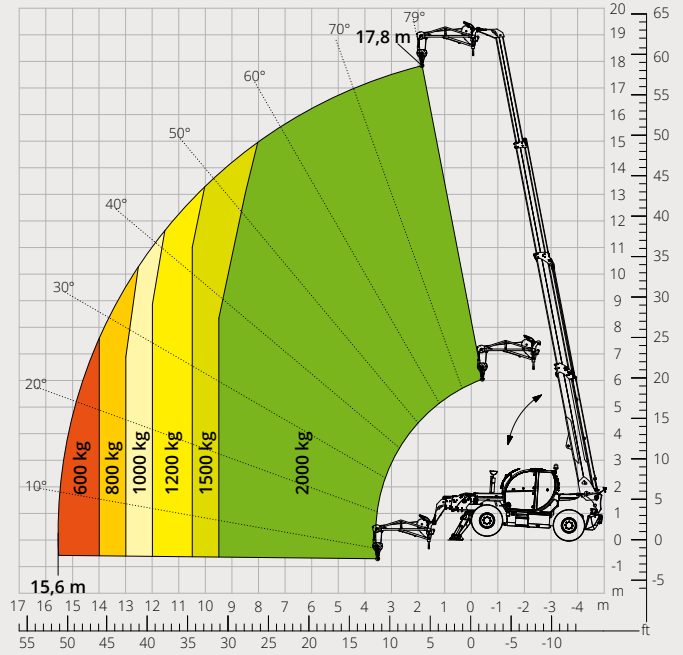




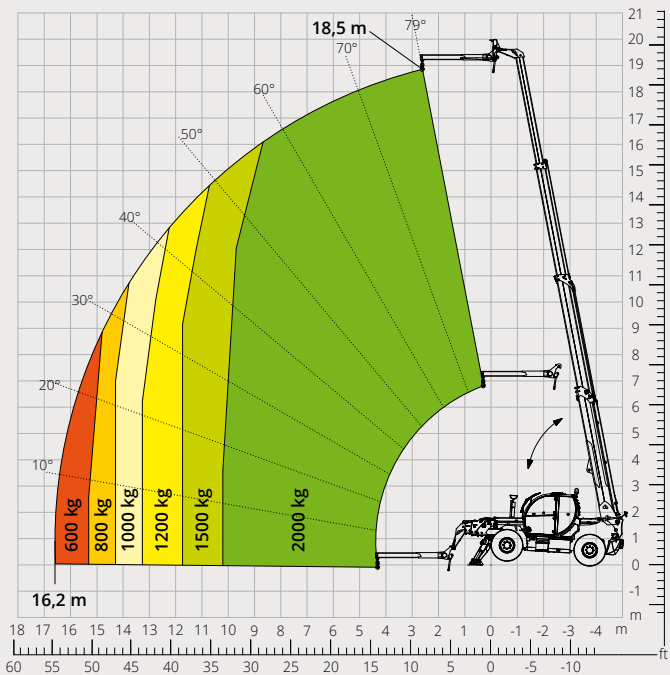
Load chart with  
**ROTATING EXTENDABLE PLATFORM,**  
**500 kg**  
 ATT-04-007



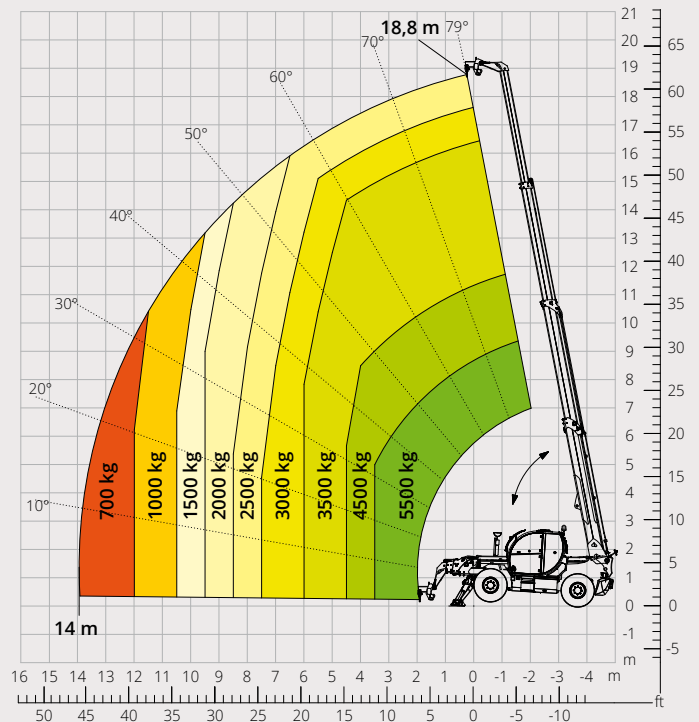
Load chart with  
**JIB WITH WINCH, 2,000 kg**  
 ATT-04-015



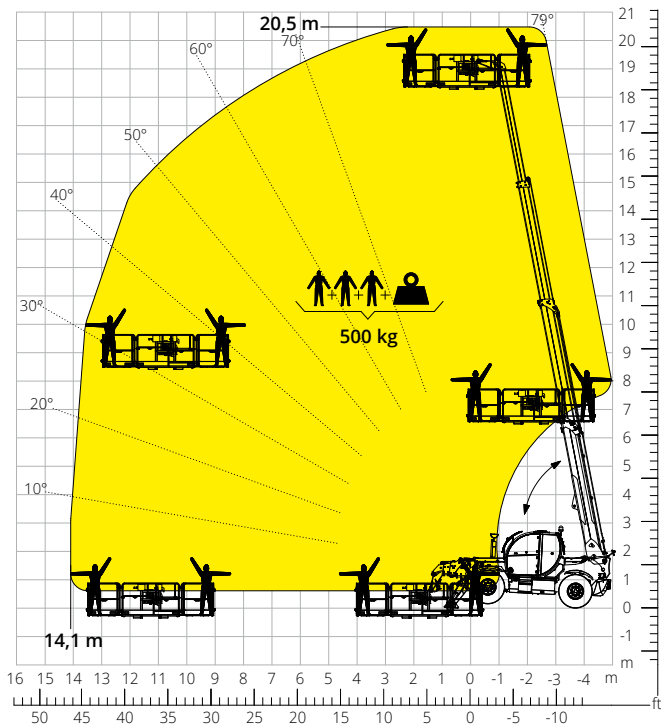
Load chart with  
**JIB, 2,000 kg**  
 ATT-04-013



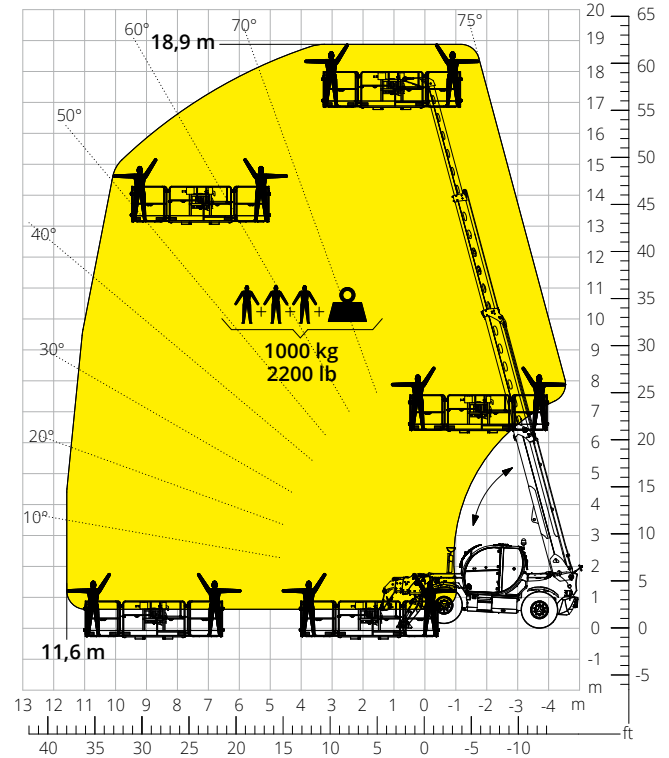
Load chart with  
**HOOK, 6,000 kg**  
 ATT-05-001



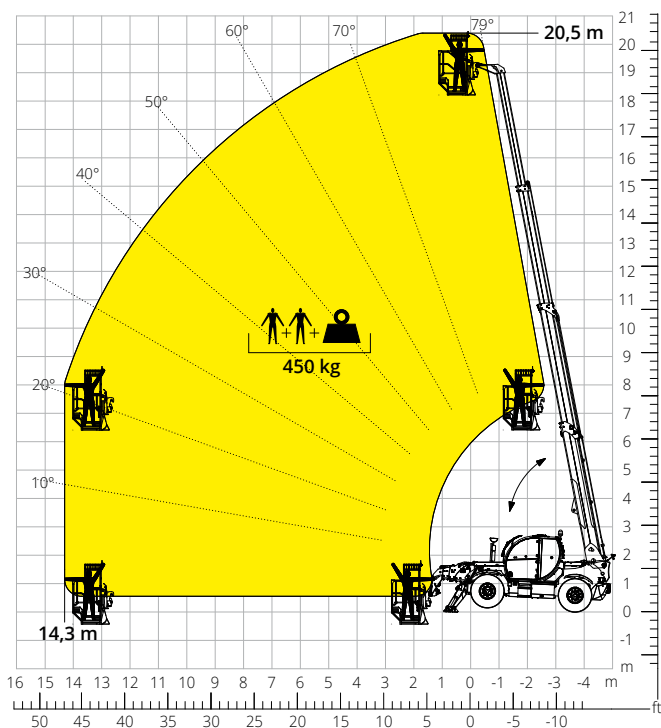
Load chart with  
**ROTATING EXTENDABLE PLATFORM,**  
**500 kg**  
ATT-01-007



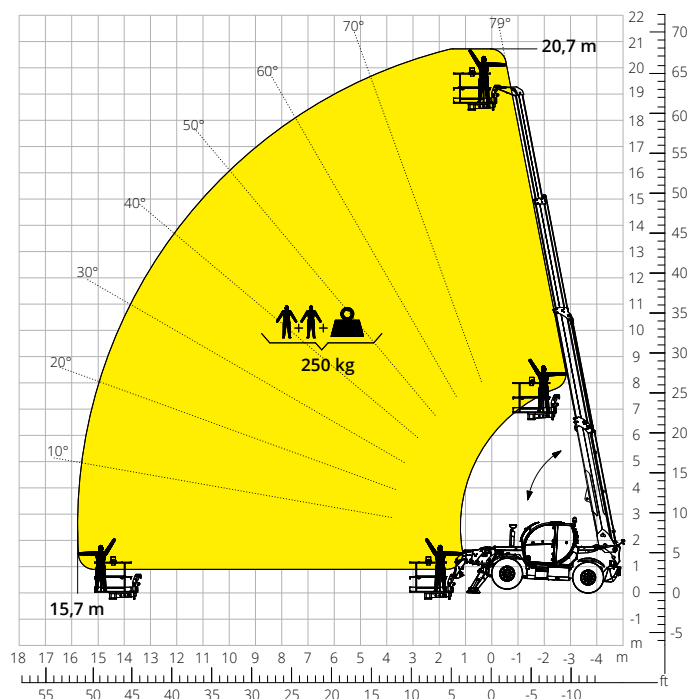
Load chart with  
**ROTATING EXTENDABLE PLATFORM,**  
**1,000 kg**  
ATT-01-016



Load chart with  
**PLATFORM, 450 kg, FOR MINES**  
ATT-01-027



Load chart with  
**FIXED EXTENDABLE PLATFORM, 250 kg**  
ATT-01-003



<b>Machine model</b>	Telescopic handler	TH 5,5.19 P	
	Maximum lifting capacity	5,500 kg	
	Maximum lifting height	18.80 m	
	Maximum reach	10.40 m	
<b>Stabilizer</b>	Type	Pivoting Stabilizer	
<b>Engine</b>	Model	<b>Deutz TCD 3,6 L4 Stage V</b>	<b>Deutz TCD 3,6 L4 EDG - Stage IIIA</b>
	Rated power	74,4 kW (101,2 hp) @ 2,200 rpm	
	Maximum torque	405 Nm 1,300 rpm	390 Nm 1,300 rpm
	Displacement	3,620 cm <sup>3</sup>	
	Cylinders	4 in line	
	Engine configuration	Diesel direct injection turbocharged	
	Cooling system	Water - intercooler	
<b>Transmission</b>	Type	Hydrostatic	
	Maximum pressure	500 bar	
	Gear box	Dropbox, 2 speeds forward-reverse	
<b>Axles and brakes</b>	Type	Axles with planetary gearboxes	
	Front axle	Oscillating and steering with levelling +/- 8°	
	Rear axle	Oscillating and steering with hydraulic locking	
	No. of steering wheels	4WS	
	Steering mode	Frontal/Concentric/Crab	
	Service brake	Hydraulically operated wet multi-disk brakes on each axle	
	Parking brake	Spring applied hydraulic release. Multi-disk brake (S.A.H.R.)	
<b>Performance</b>	Tyres dimensions	445/65 R22,5	
	Max. travel speed	25 km/h	
	Drawbar pull	72 kN	
	Maximum mass towable on hook	3.100 kg	
	Gradeability	51 %	
<b>Weights</b>	Turning radius (end of forks)	5,610 mm	
	Total unladen*	13,500 kg	
	Front axle unladen (boom retracted and lowered)*	5,700 kg	
<b>Tank and system capacities</b>	Rear axle unladen (boom retracted and lowered)*	7,800 kg	
	Fuel tank	145 l	
	AdBlue	10 l	
	Hydraulic oil tank	90 l	
	Engine oil tank	9 l	
<b>Hydraulic circuit for movements</b>	Cooling liquid	20 l	
	Circuit type	Load sensing	
	Service pump	Variable displacement	
	Max. hydraulic flow rate	90 l/min	
	Max. boom head flow rate	75 l/min	
	Max. operating system pressure	350 bar	
	Controls for boom movements	SIL2 electro-proportional valve	
Movements control	1 joystick Danfoss with FNR switch and dead man safety device - Management with CAN bus technology		
<b>Standard met</b>	2006/42/EC: EU Machinery Directive 2016/1628: EU Regulation on the emissions of stage V engines EN 1459-X: Relating to standards on the safety requirements for variable reach machines EN 280/EN 280-1/EN 280-2: standards relating to mobile elevating work platforms (if available) ROPS/level 2 FOPS: relating to the standards for protective structures		

The data given in this brochure are provided for information purposes and are subject to change without prior notice.

All images are purely guideline and might not give an exact representation of the product.

\*the stated weight refers to the vehicle unladen with standard equipment and may vary depending on the chosen configuration.

The standard machine configuration includes:

## CAB

- Comfort seat with adjustable headrest
- Adjustable steering column
- Analogue joypad
- Adjustable sunblind
- Heating
- Air conditioning
- FM/AM radio with USB and Bluetooth connectivity
- Ambient LED lights
- USB Type-A and Type-C (5 V) inputs

## REAL TIME INFORMATION

- Touchscreen, 7"
- MCTS – Magni Combi Touch System on-board software
- Automatic RFID tools recognition system
- LMI – Load Moment Indicator
- LLD – Live Load Diagram
- Onboard and remote integrated diagnostics

## TECHNICAL SPECIFICATIONS

- Q-Fit standard
- Provision for platform
- Advanced three-line CAN BUS system
- Automatic levelling system for outriggers
- Automatic front and rear wheel alignment
- Automatic parking brake
- Mechanical battery cut-off in engine compartment
- Electrical system: 24 V – IP67

## SERVICE

- Warranty: 24 months/2,000 hours