

J-1170AS

JAW CRUSHER



STRONG **HERITAGE**, STRONG **FUTURE**

 **FINLAY**®
A TEREX BRAND

J-1170AS

JAW CRUSHER



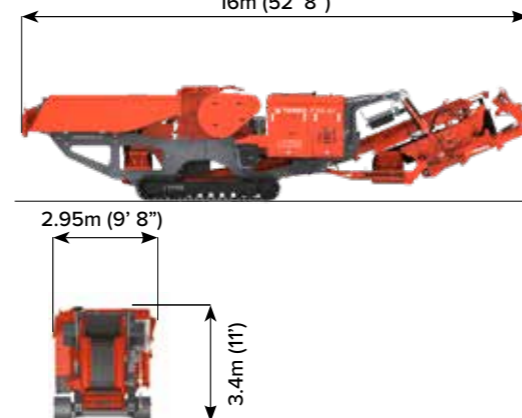
The Finlay® J-1170AS mobile jaw crushing plant provides the flexibility of a crushing and screening plant on one machine. This aggressive machine features a detachable on-board sizing screen.

The heartbeat of the machine is a robust hydrostatically driven Terex jaw chamber which provides high capacity with large reduction ratios. The jaw chamber configuration can be set up specifically for quarrying applications or processing construction demolition debris using the hydraulic release chamber option. The J-1170AS features a heavy duty variable speed VGF and integrated prescreen giving excellent production throughput in quarrying, mining, demolition and recycling applications.

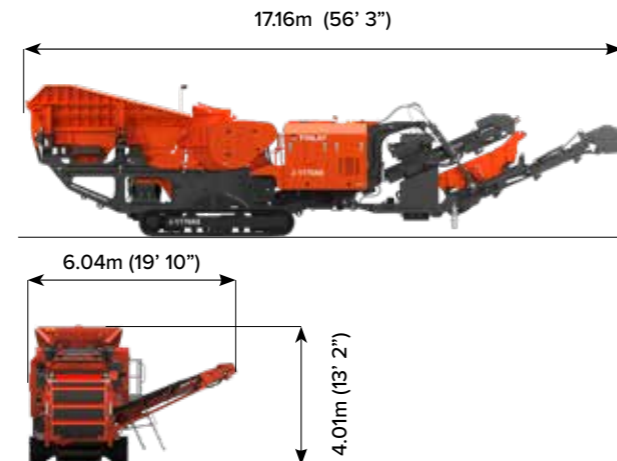
FEATURES:

- On board After Screen delivering a single sized product removing the need for a second machine.
- After Screen system can be removed quickly allowing the operator to use as a standard unit, giving the operator versatility depending on the application.
- Automatic variable speed VGF ensures continuous choke feeding of the crushing chamber for optimal productivity.
- High powered hydrostatic drive ensures precise chamber control and reverse functionality for clearing blockages and assisting in demolition and recycling applications.
- Hydraulic assisted closed side setting adjustment minimises downtime and offers quick adjustment.

TRANSPORT DIMENSIONS



WORKING DIMENSION



MACHINE WEIGHT: * 54,600kg (120,372lbs) (with HA chamber, VGF, single pole magnet, by-pass conveyor, Afterscreen system) other options available

1 HOPPER/FEEDER

Hopper capacity: 9m³ (11.7yd³)
Feed height: 4.01m (13' 2")
Feed width at rear: 2.4m (7' 10")
Hopper extensions (Optional): 11m³ (14.4yd³)

2 BY-PASS CONVEYOR (OPTIONAL)

Belt Width: 650mm (26")
Discharge height: 2.9m (9' 6")
Hydraulically folds for transport
Stockpile capacity: 36.3m³ (47.5yds³) @ 40°

3 JAW CRUSHER

Terex 1100mm X 700mm (44" x 28") chamber single toggle jaw crusher
Under jaw clearance: 520mm (20.5")
Hydraulic deflector plate - optional
Hydraulic assist closed side setting standard

4 PLATFORMS

Catwalk access to left hand side and rear of jaw chamber and also to both sides of the engine enclosure
Catwalks are fully galvanised

5 UNDERCARRIAGE

Shoe Width: 500mm (20")
Two Speed Tracking with 'soft start'
Gradeability: 25°



T-LINK TELEMATICS

T-Link telematics hardware and software along with free seven year data subscription are fitted and installed as standard.

6 MAIN CONVEYOR

Belt Width: 1m (40")
Working Angle: 23°
Speed: 100 m/min nominal
Fully tunnelled lower section
High spec scraper at head drum

7 OVERSIZE TRANSFER CONVEYOR

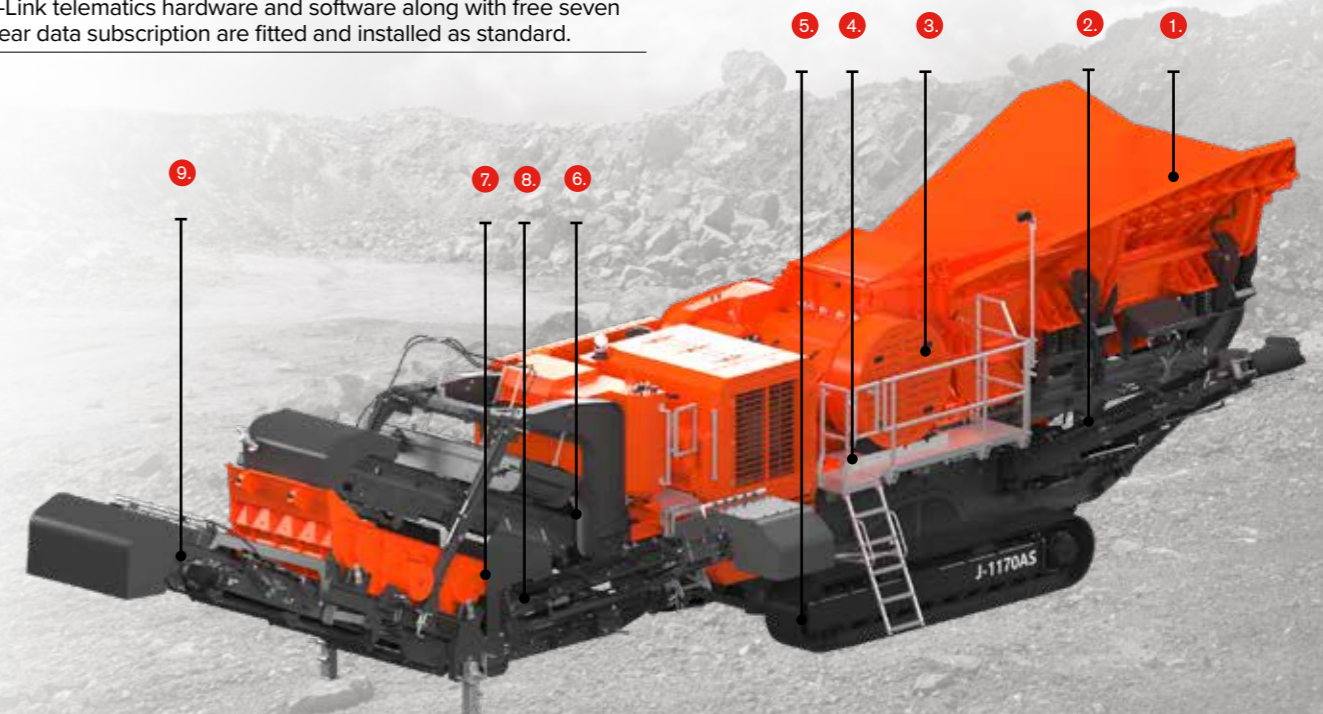
Belt width: 650mm (26")
Working Angle: 23°
Hydraulically folds for transport
Discharge Height: 2.8m (9' 2")
Stockpile capacity: 32.6m³ (42.6yds³) @ 40°

8 AFTERSCREEN

Single deck: 2.44m x 1.53m (8' X 5')
Drive: hydraulic with heavy duty bearing
Screen Angle: 23°
Screen can be lowered to a horizontal position for mesh changing and general service access
Total screening area: 3.7m² (40ft²)

9 FINES CONVEYOR

Belt width: 1.4m (55")
Working Angle: 23°
Hydraulically folds for transport
Discharge Height: 2.8m (9' 2")





The material in this document is for information only and is subject to change without notice.

Finlay® assumes no liability resulting from errors or omissions in this document, or from the use of the information contained herein.

Due to continual product development we reserve the right to change specifications without notice. Product performance figures given in this brochure are for guidance purposes only, this information does not constitute an expressed or implied warranty or guarantee, but shows test examples. These results will vary depending on application. Photographs are for illustrative purposes only; some or all of the machines in the illustrations may be fitted with optional extras. Please check with your Dealer for details on optional extras.

Published and Printed in 2022

www.terex.com/finlay

E: sales@terexfinlay.com

T: +44 28 82 418 700

