

IC-100

IMPACT CRUSHER



STRONG **HERITAGE**, STRONG **FUTURE**

 **FINLAY**®
A TEREX BRAND

IC-100

IMPACT CRUSHER



The Finlay® IC-100 mobile impact crusher has been specifically designed for quarrying, construction and demolition debris, reinforced concrete and asphalt recycling applications.

The IC-100 features a Ø860mm x 860mm (Ø34" x 34") direct drive horizontal impact chamber with variable rotor speed. The advanced electronic control system monitors, controls and regulates the speed of the VGF to maintain a consistent feed of material into the impact chamber to maintain optimal crushing capacity.

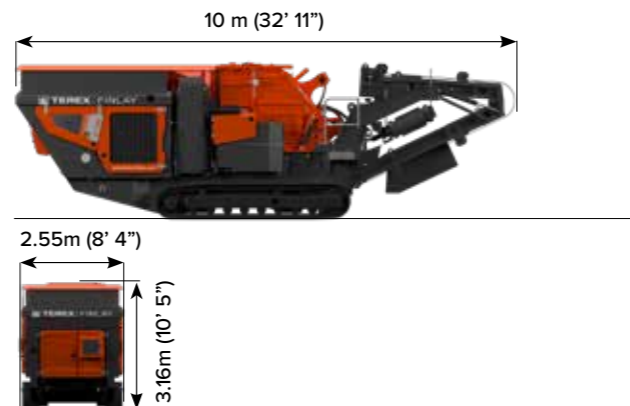
The IC-100 provides operators with a compact and versatile machine that gives high material reduction ratios and produces a consistent product grading.

The compact size, ease of transport, quick set up times and intuitive operation make this machine ideal for contract crushers, independent rental houses and small scale operators.

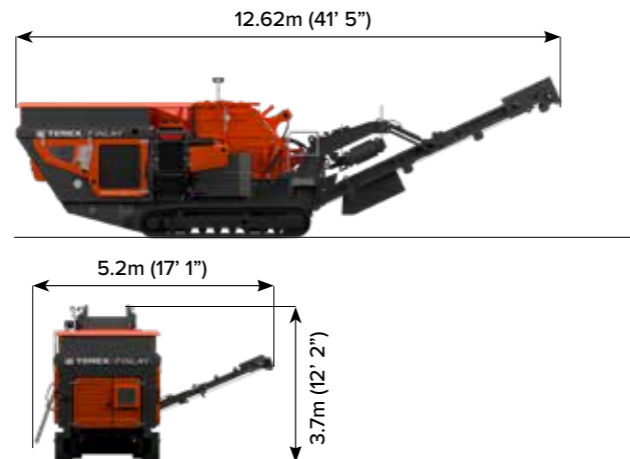
FEATURES:

- Direct drive Ø860mm x 860mm (Ø34" x 34") crusher chamber with independent belt tensioner allowing for rapid adjustment.
- Hydraulic apron setting assist provides convenient and efficient adjustment of the aprons.
- Hydraulic overload protection in event that an un-crushable object enters chamber.
- The ease of material flow through the machine has been greatly improved with each component increasing in width as the material moves through the machine.
- Crusher chamber is supplied with a 4 bar rotor and two apron design for large reduction ratios and consistent product shape.

TRANSPORT DIMENSIONS



WORKING DIMENSION



MACHINE WEIGHT: 29,000kg (63,934lbs)
(Tier 4 with single pole magnet)

1 HOPPER/FEEDER

Capacity: 2.6m³ (3.4yd³)
Feed height: 3.0m (9' 10")
Width at rear: 2m (6' 7")
Screen area: 1080 x 810mm (3' 7" x 2' 8")

2 UNDERCARRIAGE

Shoe Width: 400mm (16")
Track Speed: 2 speed motor as standard
Gradeability: 30°

3 IMPACT CHAMBER

Rotor diameter: Ø860mm (34")
Rotor width: 830mm (33")
Inlet opening: 860mm x 720mm (34" x 28")
Rotor speed Range: 750-900RPM
Drive arrangement: Direct drive via clutch

4 BY-PASS CONVEYOR (OPTIONAL)

Belt Width: 500mm (20")
Discharge Height: 2.48m (8' 2")
Hydraulically folds for transport

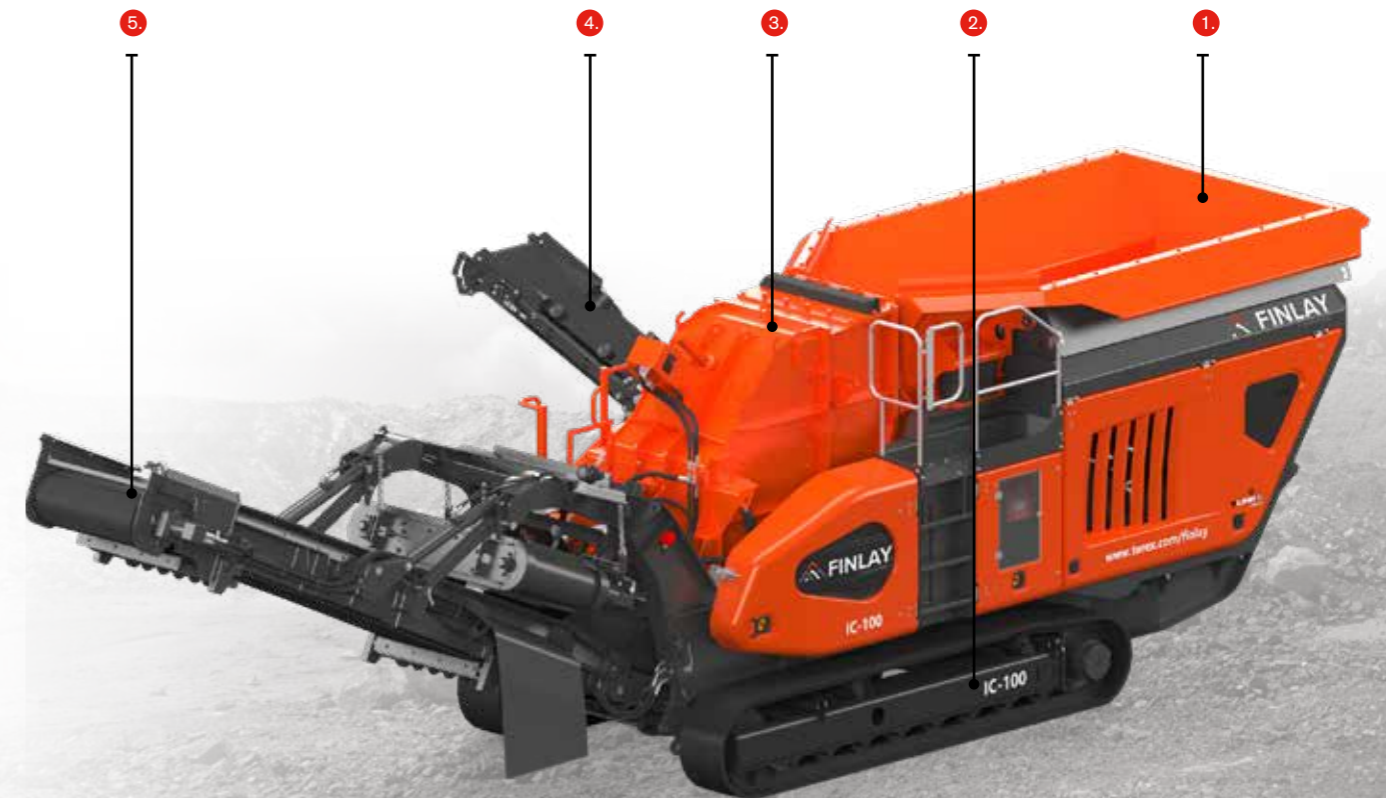
5 MAIN CONVEYOR

Belt Width: 900mm (36")
Full length main conveyor with impact bars at feed point
Folding head section for transport
Main conveyor can be lowered hydraulically for maintenance
Discharge Height: 3m (9' 10")



T-LINK TELEMATICS

T-Link telematics hardware and software along with free seven year data subscription are fitted and installed as standard.





The material in this document is for information only and is subject to change without notice.

Finlay® assumes no liability resulting from errors or omissions in this document, or from the use of the information contained herein.

Due to continual product development we reserve the right to change specifications without notice. Product performance figures given in this brochure are for guidance purposes only, this information does not constitute an expressed or implied warranty or guarantee, but shows test examples. These results will vary depending on application. Photographs are for illustrative purposes only; some or all of the machines in the illustrations may be fitted with optional extras. Please check with your Dealer for details on optional extras.

Published and Printed in 2022

www.terex.com/finlay

E: sales@terexfinlay.com

T: +44 28 82 418 700

