

HEAVY DUTY SCREEN



STRONG **HERITAGE**, STRONG **FUTURE**

HEAVY DUTY SCREEN



The Finlay® 883+ Spaleck mobile recycling screen is the ultimate in mobile screening and separation technology. At the heart of the screen is the two deck German designed and constructed high performance recycling waste screen with Flip-Flow-Screen Elastica.

The unique stepped top deck design combined with state of the art flip flow technology on the bottom deck catapults the 883+ Spaleck into a class of its own.

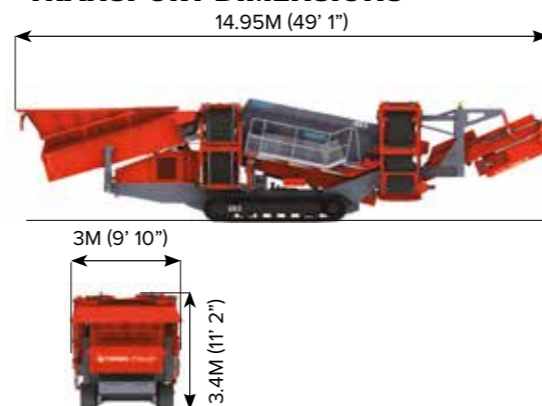
Its processing capabilities and application flexibility make the machine the only all in one mobile solution for the processing and separation of recycling materials such as incineration slag, shredder light and heavy fraction, scrap metal, electronic scrap, C&D, C&I, bulky waste, compost, plastic fractions, biomass, topsoil etc.

The model is available with hybrid technology consisting of on-board electrical motors permitting the flexibility to run the plant from an outside power supply or standard on-board engine.

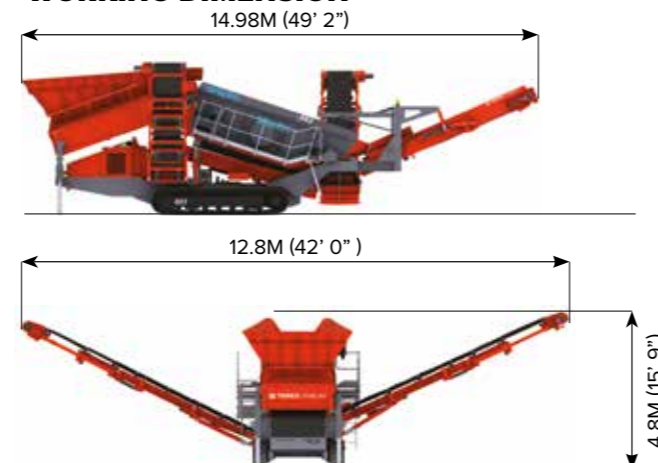
FEATURES:

- > Nearly blockage-free screening in the upper and lower deck thanks to tried and tested 3D and Flip-Flow technology.
- > The 3D screening segments guarantee correct grain size with no long pieces or extraneous material for the tension shaft screen on the lower deck.
- > The Flip-Flow screen with screwless mounted screen mats avoids unnecessary cleaning.
- > This combination of two system solutions in one machine enables you to make enormous savings on conveying equipment, steel structures and space.

TRANSPORT DIMENSIONS



WORKING DIMENSION



MACHINE WEIGHT: 30,500KG (67,240LBS)
(STANDARD MACHINE CONFIGURATION ESTIMATED)

* SHOWING TELESCOPIC SIDE CONVEYOR OPTION

1 HOPPER/FEEDER

Hopper Capacity: 7m³ (9.16yd³)

Feed height: 3.69m (12' 1")

Feed in width: 2.6m (8' 7")

Drive: Hydraulic variable speed

Abrasion Resistant steel pan apron feeder mounted with wide mouth opening

2 UNDERCARRIAGE

Shoe Width: 400mm (16")

Sprocket Centres: 3.28m (10' 9")

Speed: 0.8kph

Gradeability: 24.8°

Raking Angle: 12° min

3 SCREENBOX

Top deck: 4.8m x 1.53m (16' x 5')

Bottom deck: 4.8m x 1.53m (16' x 5')

3D punch plate top deck

Flip - Flow technology bottom deck

Screenbox can hydraulically adjust to an angle between 13° - 19°



T-LINK TELEMATICS

T-Link telematics hardware and software along with free seven year data subscription are fitted and installed as standard.

4 FINES CONVEYOR

Belt width: 900mm (36")

Working Angle: 24° - 28°

Standard Discharge Height: 4m (13' 1") max

Stockpile capacity: 95m³ (124yd³) max

Optional telescopic section

Extended Discharge Height: 4.8m (15' 9")

Stockpile capacity: 164.48m³ (215.14yd³)

5 MIDGRADE CONVEYOR

Belt width: 800mm (32")

Working Angle: 22° - 26° max

Standard Discharge Height: 3.4m (11' 2") max

Stockpile capacity: 58m³ (76yd³) max

Optional telescopic section

Extended Discharge Height: 4.1m (13' 5")

Stockpile capacity: 102.5m³ (134.1yd³)

6 OVERSIZE CONVEYOR

Belt width: 1.2m (48")

Working Angle: 18° - 24°, hydraulic adjust

Speed: Variable speed, 50 m/min max belt speed

Discharge Height: 3.6m (11' 10")

Stockpile capacity: 70m³ (91yd³) max





The material in this document is for information only and is subject to change without notice.

Finlay® assumes no liability resulting from errors or omissions in this document, or from the use of the information contained herein.

Due to continual product development we reserve the right to change specifications without notice. Product performance figures given in this brochure are for guidance purposes only, this information does not constitute an expressed or implied warranty or guarantee, but shows test examples. These results will vary depending on application. Photographs are for illustrative purposes only; some or all of the machines in the illustrations may be fitted with optional extras. Please check with your Dealer for details on optional extras.

Published and Printed in 2022

www.terex.com/finlay

E: sales@terexfinlay.com

T: +44 28 82 418 700

